




Product Specifications

Customer	Standard
Description	4.41" TFT EPD Panel
Model Name	ET044BS013
Date	2014/04/10
Doc. No.	1P069-00
Revision	01

Customer Approval	
Date	
The above signature represents that the product specifications, testing regulation, and warranty in the specifications are accepted	

	Design Engineering		
	Approval	Check	Design
			

No.71, Delun Rd., Rende Dist., Tainan City 71743, Taiwan (R.O.C.)

Tel: +886-6-279-5399

Fax: +886-6-279-5300

版權歸龍亭新技所有

禁止任何未經授權使用

Copyright

Pervasive Displays Incorporated All rights reserved.

This document is the exclusive property of Pervasive Displays Inc. (PDI) and shall not be reproduced or copied or transformed to any other format without prior permission of PDI. (PDI Confidential)

本資料為龍亭新技股份有限公司專有之財產，非經許可，不得複製、翻印或轉變成其他形式使用。

龍亭新技股份有限公司 Pervasive Displays Inc.

No.71, Delun Rd., Rende Dist., Tainan City 71743, Taiwan (R.O.C.)

Tel: +886-6-279-5399

<http://www.pervasivedisplays.com>

PERVASIVE DISPLAYS INC.

版權歸龍亭新技所有

禁止任何未經授權使用

Table of Contents

Revision History.....6

Glossary of Acronyms.....7

1 General Description8

 1.1 Overview8

 1.2 Features8

 1.3 Applications8

 1.4 General Specifications9

 1.5 Mechanical Specifications.....10

2 Absolute Maximum Ratings.....12

 2.1 Absolute Ratings of Environment12

 2.2 Reliability Test Item13

3 Electrical Characteristics.....14

 3.1 Absolute Maximum Ratings of Panel14

 3.2 Recommended Operation Conditions of Panel14

4 Application Circuit Block Diagram17

5 Terminal Pin Assignment & Reference Circuit.....18

 5.1 Terminal Pin Assignment.....18

 5.2 Reference Circuit21

6 Optical Characteristics.....22

 6.1 Test Conditions.....22

 6.2 Optical Specifications22

 6.2.1 Optical22

 6.2.2 Ghosting.....25

7 Packing26

8 Precautions.....29

9 Definition of Labels.....31

List of Figures

Figure 1-1 EPD Drawing 11

Figure 2-1 Operating Range of Relative Humidity and Temperature 12

Figure 3-1 Test Pattern of Panel 15

Figure 3-2 Image Update Current Profile..... 15

Figure 3-3 Current Measurement 16

Figure 4-1 Application Circuit Block Diagram 17

Figure 5-1 EPD Reference Circuit 21

Figure 6-1 Optical measurement..... 23

Figure 6-2 Definition of Viewing Angle to Measure Contrast Ratio 24

Figure 7-1 Packing Diagram 26

Figure 9-1 Model Labels..... 31

Figure 9-2 Definition of Model Labels..... 32

Figure 9-3 Carton Label 33

Figure 9-4 Pallet Label 33

PERVASIVE DISPLAYS INC.

List of Tables

Table 1-1	General Specification	9
Table 1-2	Mechanical Specification	10
Table 1-3	FPC Specification	10
Table 2-1	Absolute Ratings of Environment	12
Table 2-2	Reliability Test Items	13
Table 3-1	Absolute Maximum Ratings of Panel	14
Table 3-2	Recommended Operation Conditions of Panel	14
Table 5-1	Terminal Pin Assignment.....	18
Table 6-1	Measurement Conditions.....	22
Table 6-2	Optical Measurement with D65 light source.....	22
Table 6-3	Measurement of Ghosting	25

PERVASIVE DISPLAYS INC.

Revision History

Version	Date	Page (New)	Section	Description
Ver.01	2014/04/10	All	All	Product specification first issued.
PERVASIVE DISPLAYS INC.				

版權歸龍亭新技所有

禁止任何未經授權使用

Glossary of Acronyms

EPD	Electrophoretic Display (e-Paper Display)
EPD Panel	EPD
EPD Module	EPD with TCon board
TCon	Timing Controller
TFT	Thin Film Transistor
MCU	Microcontroller Unit
FPC	Flexible Printed Circuit
FPL	Front Plane Laminate
SPI	Serial Peripheral Interface
COG	Chip on Glass
PCS	Print Contrast Signal
PDI	Pervasive Displays Incorporated

PERVASIVE DISPLAYS INC.

1 General Description

1.1 Overview

This is a 4.41" a-Si, active matrix TFT, Electronic Paper Display (EPD) panel. The panel has such high resolution (113dpi) that it is able to easily display fine patterns. Due to its bi-stable nature, the EPD panel requires very little power to update and needs no power to maintain an image.

1.2 Features

- a-Si TFT active matrix Electronic Paper Display(EPD)
- Resolution: 400 x 300
- Ultra low power consumption
- Super Wide Viewing Angle - near 180°
- Extra thin & light
- SPI interface
- RoHS compliant

1.3 Applications

- Electronic shelf label (ESL)
- Reusable container
- Badge

PERVASIVE DISPLAYS INC.

1.4 General Specifications

Table 1-1 General Specification

Item	Specification	Unit	Note
Outline Dimension	98.504(H) x 80.400(V) x 0.9(T)	mm	(1)
Active Area	89.6(H) x 67.2(V)	mm	
Driver Element	a-Si TFT active matrix	-	
FPL	V230	-	
Pixel Number	400 x 300	pixel	
Pixel Pitch	0.224 x 0.224 (113dpi)	mm	
Pixel Arrangement	Vertical stripe	-	
Display Colors	Black/White	-	
Surface Treatment	Anti-Glare	-	

Note (1): Not including the FPC.

PERVASIVE DISPLAYS INC.

1.5 Mechanical Specifications

Table 1-2 Mechanical Specification

Item		Min.	Typ.	Max.	Unit	Note
Glass Size	Horizontal(H)	98.204	98.504	98.804	mm	
	Vertical(V)	80.100	80.400	80.700	mm	
	Thickness(T)	0.7	0.9	1.1	mm	(1)
Weight			12.8	15.4	g	

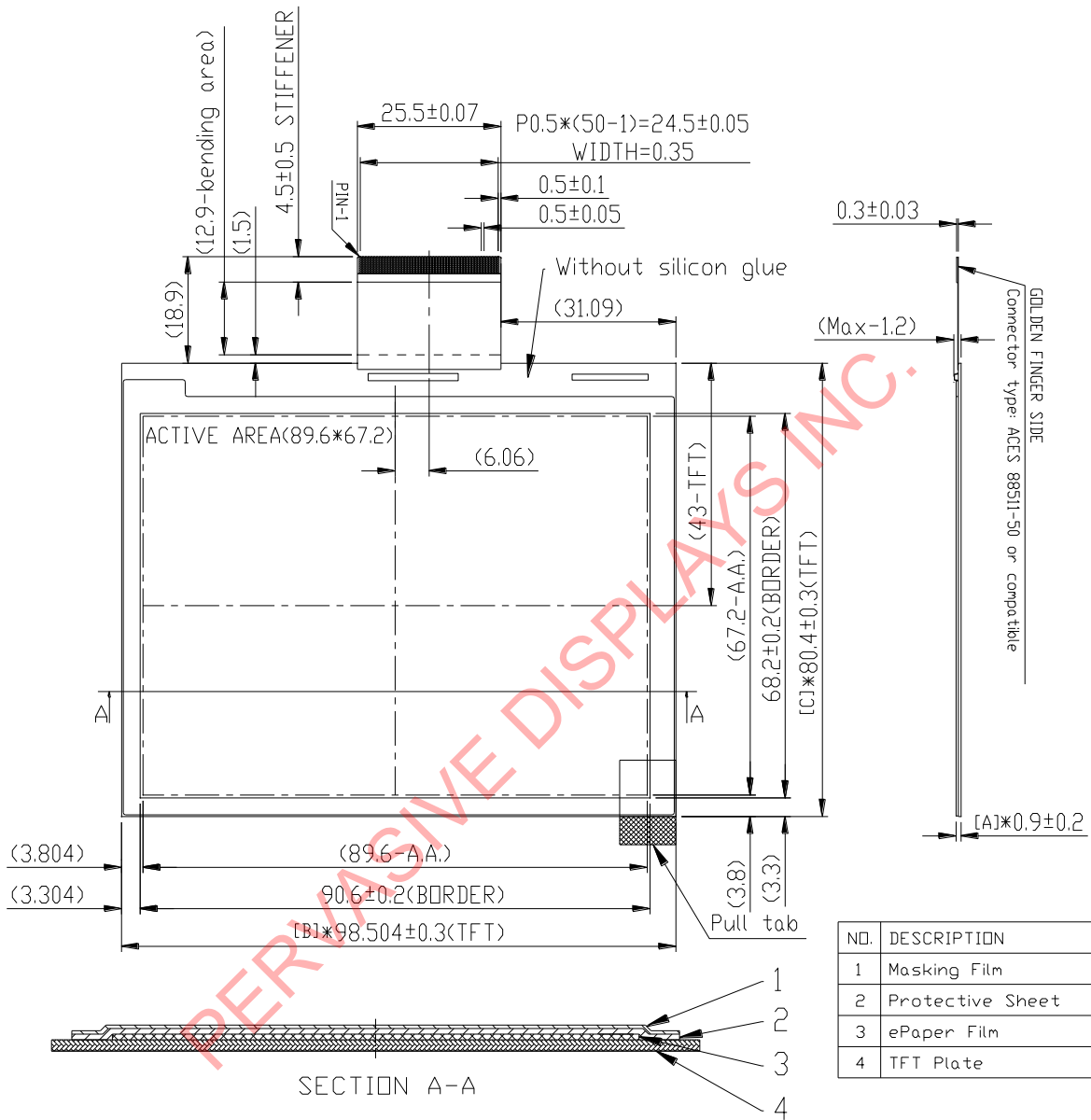
Note (1): Not including the Masking Film.

Table 1-3 FPC Specification

Item	Pin numbers	Pitch (mm)	Connector	Note
Golden Finger	50	0.5	ACES 88511-50 or Compatible	

PERVASIVE DISPLAYS INC.

Figure 1-1 EPD Drawing



General tolerance: ±0.3mm

2 Absolute Maximum Ratings

2.1 Absolute Ratings of Environment

Table 2-1 Absolute Ratings of Environment

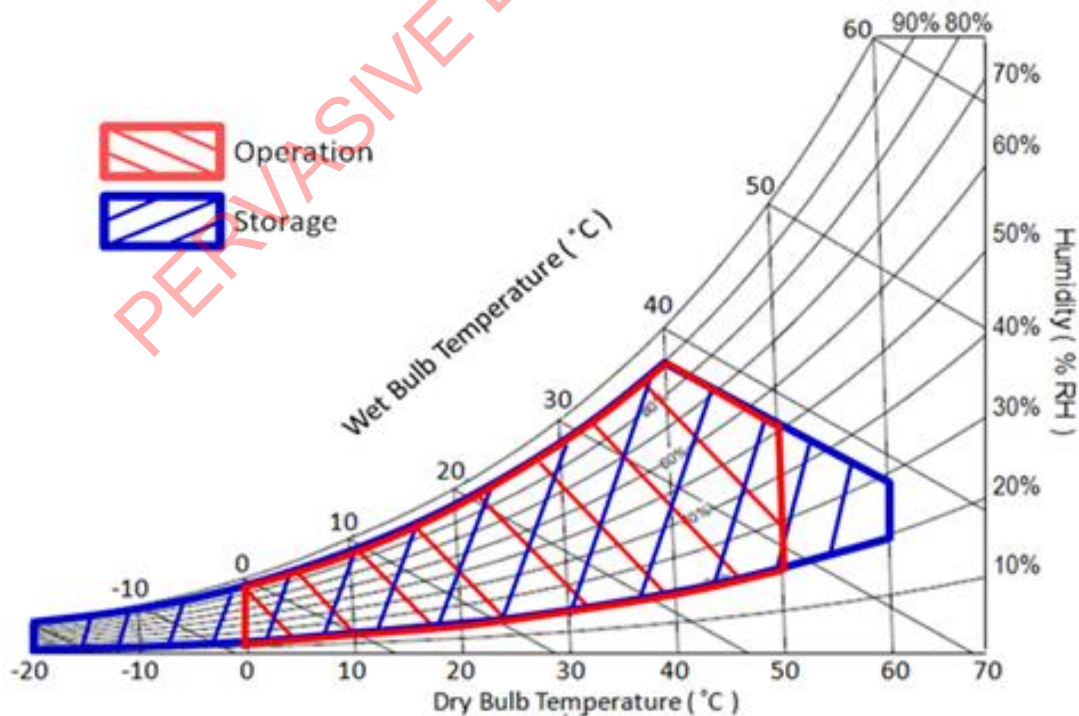
Item	Symbol	Value		Unit	Note
		Min.	Max.		
Storage Temperature	T _{ST}	-20	+60	°C	(1)
Operating Ambient Temperature	T _{OP}	0	+50	°C	(1), (2)

Note (1):

- (a) 90 %RH Max. ($T_a \leq 40$ °C), where T_a is ambient temperature.
- (b) Wet-bulb temperature should be 39 °C Max. ($T_a > 40$ °C).
- (c) No condensation.

Note (2): The temperature of panel display surface area should be 0 °C Min. and 50 °C Max. Refresh time depends on operation temperature.

Figure 2-1 Operating Range of Relative Humidity and Temperature



2.2 Reliability Test Item

Table 2-2 Reliability Test Items

Item	Test Condition	Remark
High Temperature Operation	50 °C for 240h	(1) (2)
Low Temperature Operation	0 °C for 240h	(1) (2)
High Temperature/Humidity Operation	40 °C / 90 %RH for 168h	(1) (2)
High Temperature Storage	60 °C for 240h	(1)(2)(3)
Low Temperature Storage	-20 °C for 240h	(1)(2)(3)
High Temperature/Humidity Storage	50 °C / 80 %RH for 168h	(1)(2)(3)
Thermal Cycles (Non-operation)	1 Cycle:-20°C/30min → 60°C/30min, for 100 Cycles	(1)(2)(3)
Package Drop Test	Drop from 97cm. (ISTA) 1 corner, 3 edges, 6 sides. One drop for each.	(1)(2)(3)
Package Random Vibration Test	1.15Grms, 1Hz ~ 200Hz. (ISTA)	(1)(2)(3)

Note (1): End of test, function, mechanical, and optical shall be satisfied.

Note (2): The test result and judgment are based on PDI's 1bit driving waveform, driving fixture and driving system.

Note (3): Stay white pattern for storage and non-operation test.

3 Electrical Characteristics

3.1 Absolute Maximum Ratings of Panel

Table 3-1 Absolute Maximum Ratings of Panel

Parameter	Symbol	Value		Unit	Note
		Min	Max		
Digital Power	V_{DD}	-0.3	5.0	V	
Analog Power	V_{CC}	-0.3	5.0	V	
Ground	V_{SS}	-		-	Connect V_{SS} to Ground

$T_a = 25 \pm 2 \text{ }^\circ\text{C}$

3.2 Recommended Operation Conditions of Panel

Table 3-2 Recommended Operation Conditions of Panel

Parameter	Symbol	Value			Unit	Note	
		Min	Typ	Max			
Digital Power	V_{DD}	2.7	3.0	3.3	V		
Analog Power	V_{CC}	2.7	3.0	3.3	V		
Input Voltage	High	V_{IH}	$0.8V_{DD}$	-	V_{DD}	V	/RESET, /CS, ID, SCLK, SI, OE123, U_D, CKV, STV_IN
	Low	V_{IL}	V_{SS}	-	$0.2V_{DD}$	V	
Output Voltage	High	V_{OH}	$0.8V_{DD}$	-	V_{DD}	V	$I_{OH}=0.5\text{mA}$, SO, STV_OUT
	Low	V_{OL}	V_{SS}	-	$0.2V_{DD}$	V	$I_{OL}=-0.5\text{mA}$, SO, STV_OUT
Input Leakage Current	High	I_{IH}	-	-	1.0	μA	
	Low	I_{IL}	-	-	-1.0	μA	
Input Current	$I_{DD} + I_{CC}$	-	6	12	mA	(1),(2),(3)	
DC/DC Inrush Current	I_{PEAK}	-	30	100	mA	(1),(2),(3)	

$T_a = 25 \pm 2 \text{ }^\circ\text{C}$

版權歸龍亭新技所有

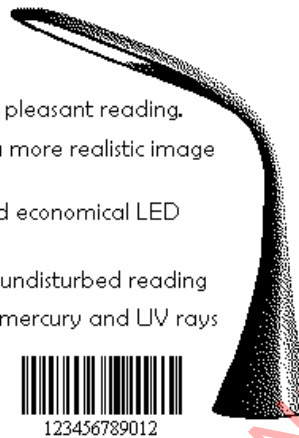
禁止任何未經授權使用

Note (1):

Figure 3-1 Test Pattern of Panel

**CHIMEI
LED DeskLamp**

- Flicker free LED lighting for pleasant reading.
- Natural color rendition for a more realistic image reproduction.
- Long-life, energy-saving, and economical LED lighting.
- V-CLUT Anti-glare Filter for undisturbed reading
- Green lighting free of lead, mercury and UV rays with zero pollution.

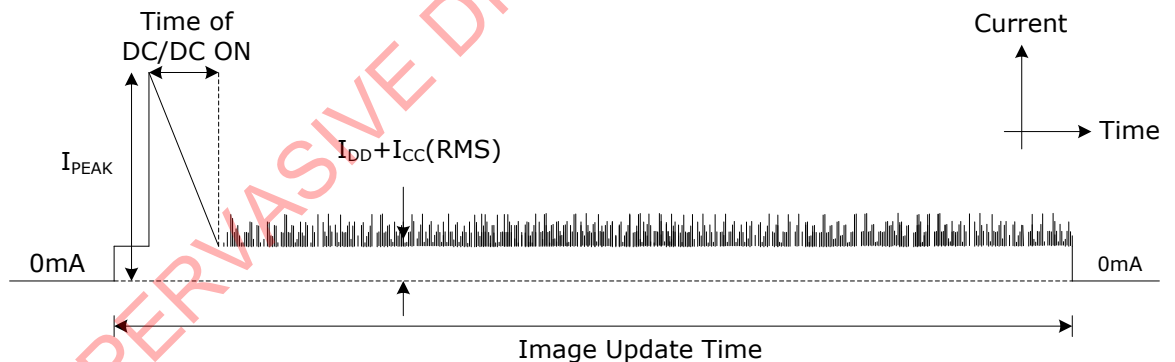


These currents are tested with PDI test jig.

Note (2):

$V_{DD}=V_{CC}=3.0V$

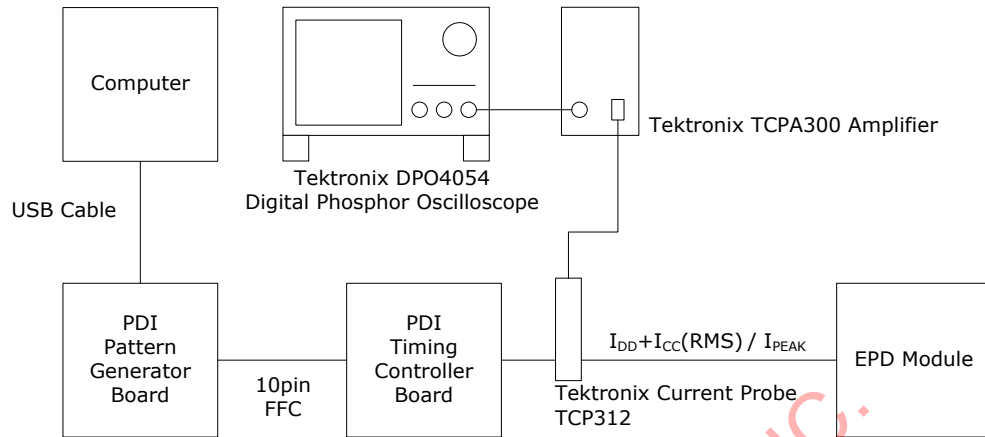
Figure 3-2 Image Update Current Profile



The "Time of DC/DC ON" which contains the some current peak of $V_{GH}/V_{DH}/V_{GL}/V_{DL}/V_{COM}$.

Note (3):

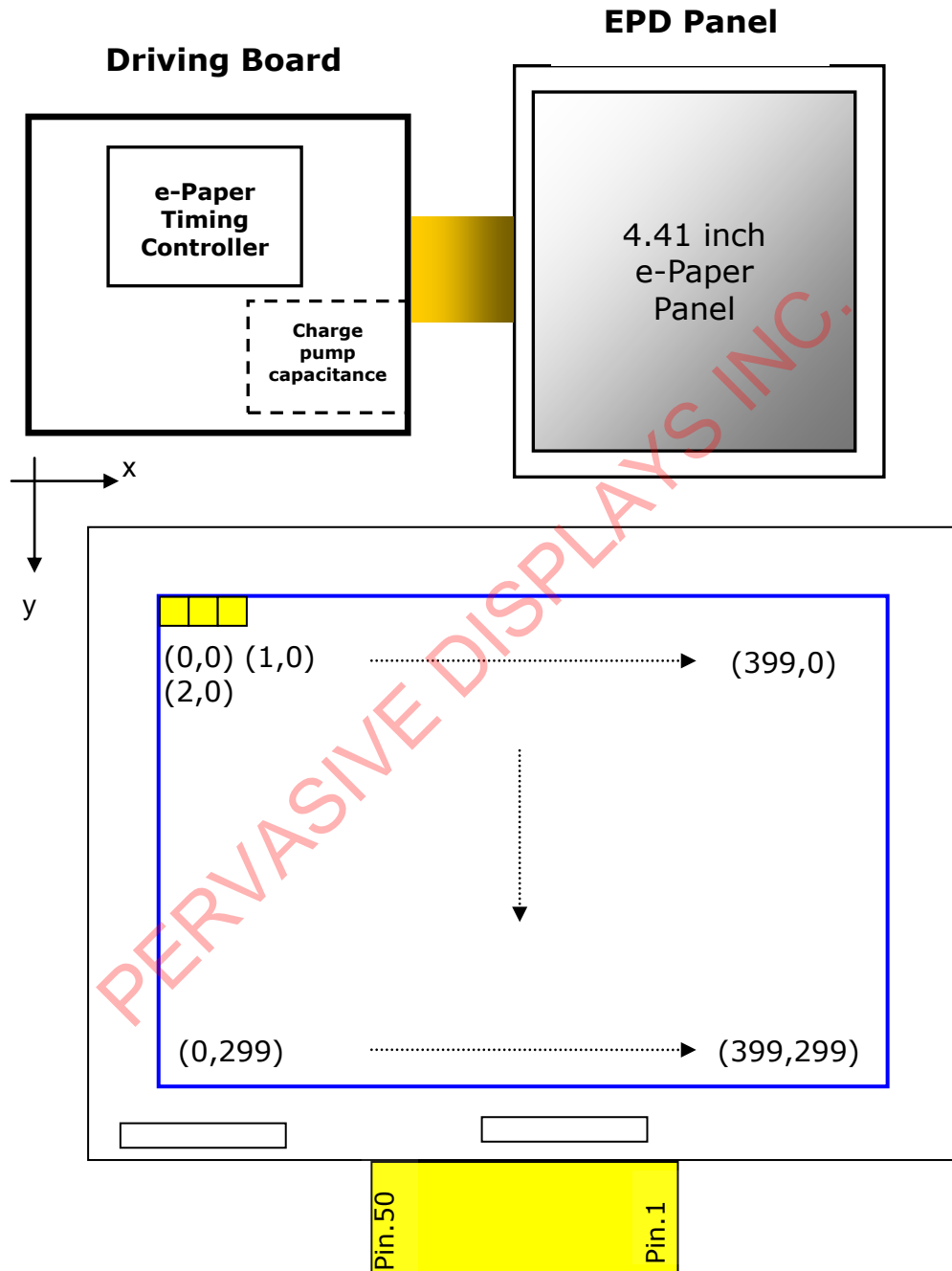
Figure 3-3 Current Measurement



PERVASIVE DISPLAYS INC.

4 Application Circuit Block Diagram

Figure 4-1 Application Circuit Block Diagram



5 Terminal Pin Assignment & Reference Circuit

5.1 Terminal Pin Assignment

Table 5-1 Terminal Pin Assignment

No.	Signal	Type	Connected to	Function
1	V _{ST}	P	V _{COM_PANEL}	Power supply for TFT storage capacitors.
2	BORDER	P	Not connect	
3	V _{COM_PANEL}	P	Capacitor	V _{COM} to panel.
4	V _{DL}	P	Capacitor	Negative power supply for data driver
5	V _{DH}	P	Capacitor	Positive power supply for data driver
6	V _{GL}	P	Capacitor	Negative power supply for gate driver
7	V _{GH}	P	Capacitor	Positive power supply for gate driver
8	V _{SS}	P	Ground	
9	V _{DD}	P	V _{DD}	Power supply for digital part of source driver
10	V _{CC}	P	V _{CC}	Power supply for analog part of source driver
11	V _{COM_DRIVER}	RC	Resistor & Capacitor	The signal duty cycle can drive V _{COM} voltage from source driver IC
12	C11P	C	Capacitor	
13	C11M	C	Capacitor	
14	C12P	C	Capacitor	
15	C12M	C	Capacitor	
16	C13P	C	Capacitor	
17	C13M	C	Capacitor	
18	C14P	C	Capacitor	
19	C14M	C	Capacitor	
20	C15P	C	Capacitor	
21	C15M	C	Capacitor	

版權歸龍亭新技所有

禁止任何未經授權使用

22	C16P	C	Capacitor	
23	C16M	C	Capacitor	
24	C21P	C	Capacitor	
25	C21M	C	Capacitor	
26	C31P	C	Capacitor	
27	C31M	C	Capacitor	
28	C41M	C	Capacitor	
29	C41P	C	Capacitor	
30	C42M	C	Not connect	
31	C42P	C	Not connect	
32	V _{CL}	C	Capacitor	V _{COM} driver power supply
33	IF0	I	Not connect	Panel interface mode setting
34	IF1	I	Not connect	Panel interface mode setting
35	/RESET	I	TCon	Reset pin, low active
36	V _{SS}	P	Ground	
37	SO	O	TCon	Serial output from EPD to host MCU
38	SI	I	TCon	Serial input from host MCU to EPD
39	SCLK	I	TCon	Clock for SPI
40	ID	I	Ground	Panel interface mode setting
41	/CS	I	TCon	Chip select, low active
42	OE123	I	TCon	Output enable for gate driver. When OE123 = 1, all gate outputs are disable
43	U_D	I	V _{DD}	Gate scanning direction control
44	CKV	I	TCon	Clock input of gate driver
45	STV_IN	I	TCon	Start pulse in for shift register of gate driver
46	STV_OUT	O	Not connect	Start pulse out
47	V _{EE}	P	Capacitor	Negative power supply of gate driver
48	V _{GG}	P	Capacitor	Positive power supply of gate driver

版權歸龍亭新技所有

禁止任何未經授權使用

49	V _{DD}	P	Capacitor	Power supply for digital part of gate driver
50	V _{SS}	P	Ground	

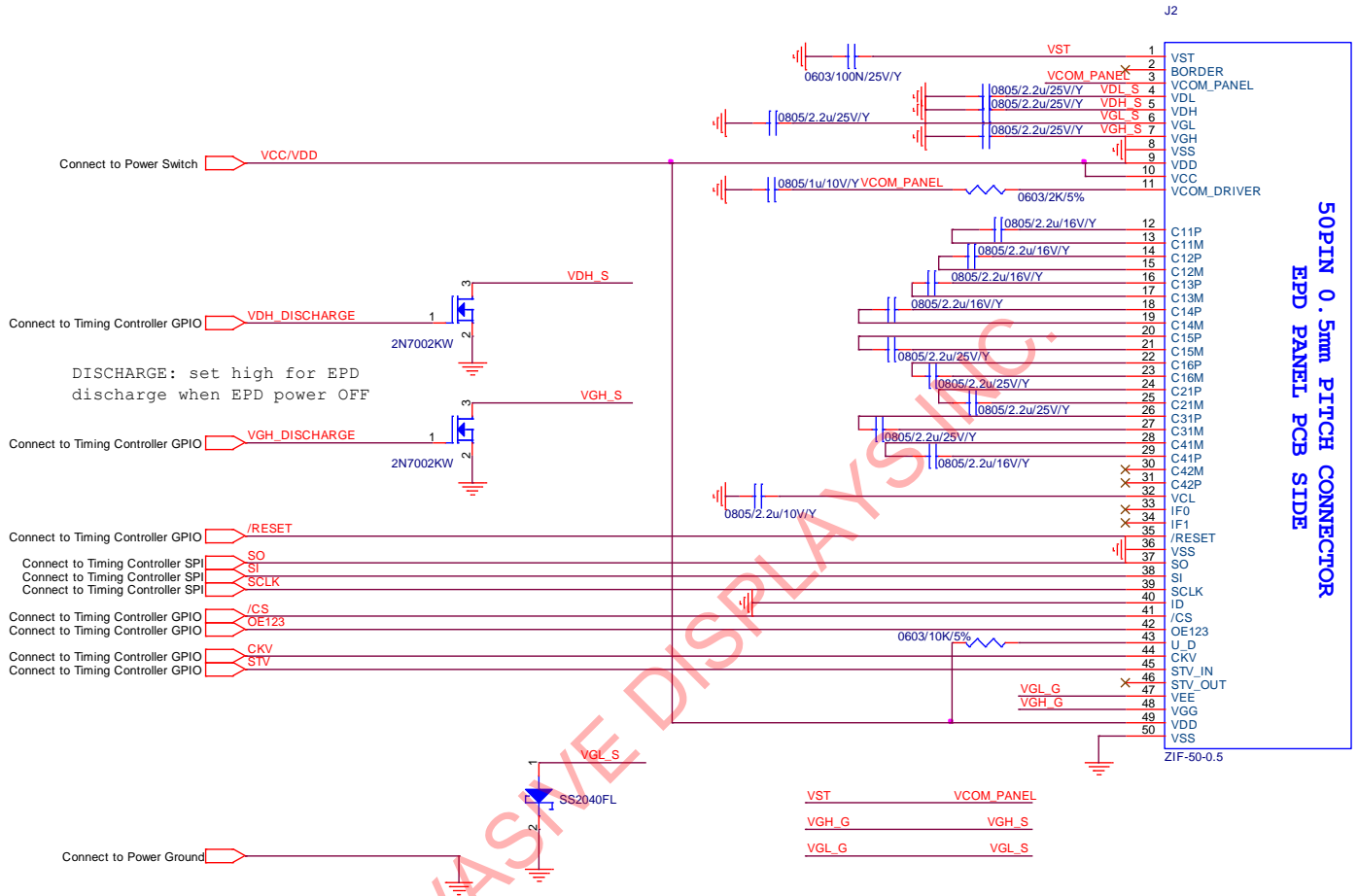
Note:

- Type: I: Input
 O: Output
 C: Capacitor
 RC: Resistor and Capacitor
 P: Power

PERVASIVE DISPLAYS INC.

5.2 Reference Circuit

Figure 5-1 EPD Reference Circuit



Note: (1) V_{DD} and V_{CC} must be discharged promptly after power off.

6 Optical Characteristics

6.1 Test Conditions

Table 6-1 Measurement Conditions

Item	Symbol	Value	Unit
Ambient Temperature	Ta	25±2	°C
Ambient Humidity	Ha	50±10	%RH
Supply Voltage	V _{CC} & V _{DD}	3.0	V

6.2 Optical Specifications

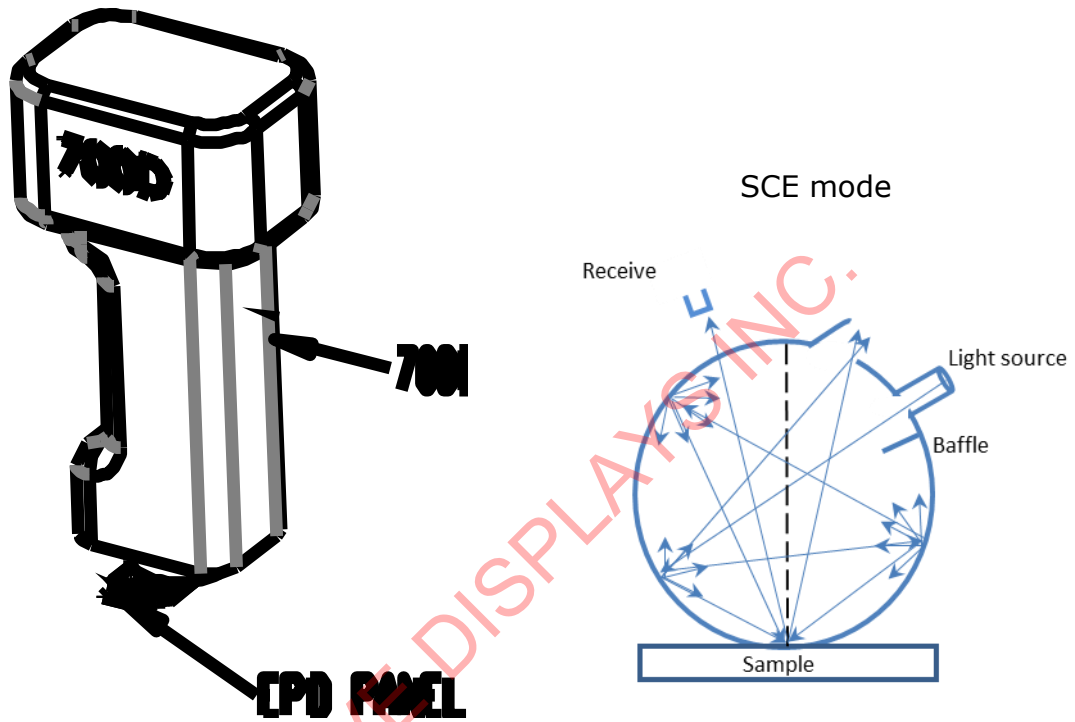
6.2.1 Optical

Table 6-2 Optical Measurement with D65 light source

Item	Symbol	Rating			Unit	Note
		Min.	Typ.	Max.		
Contrast ratio	CR	5:1	10:1	-	-	$\theta_x = \theta_y = 0$ (1),(2),(3),(4)
Refresh time	Tr	-	4.5	-	sec	(3)
White Chromaticity	Wx	-	0.30	-	-	$\theta_x = \theta_y = 0$ (1),(4)
	Wy	-	0.33	-		
Reflectance	R%	-	38	-	%	(1),(4)

Note (1): Panel is driven by PDI waveform without masking film and optical measurement by CM-700D with D65 light source and SCE mode.

Figure 6-1 Optical measurement

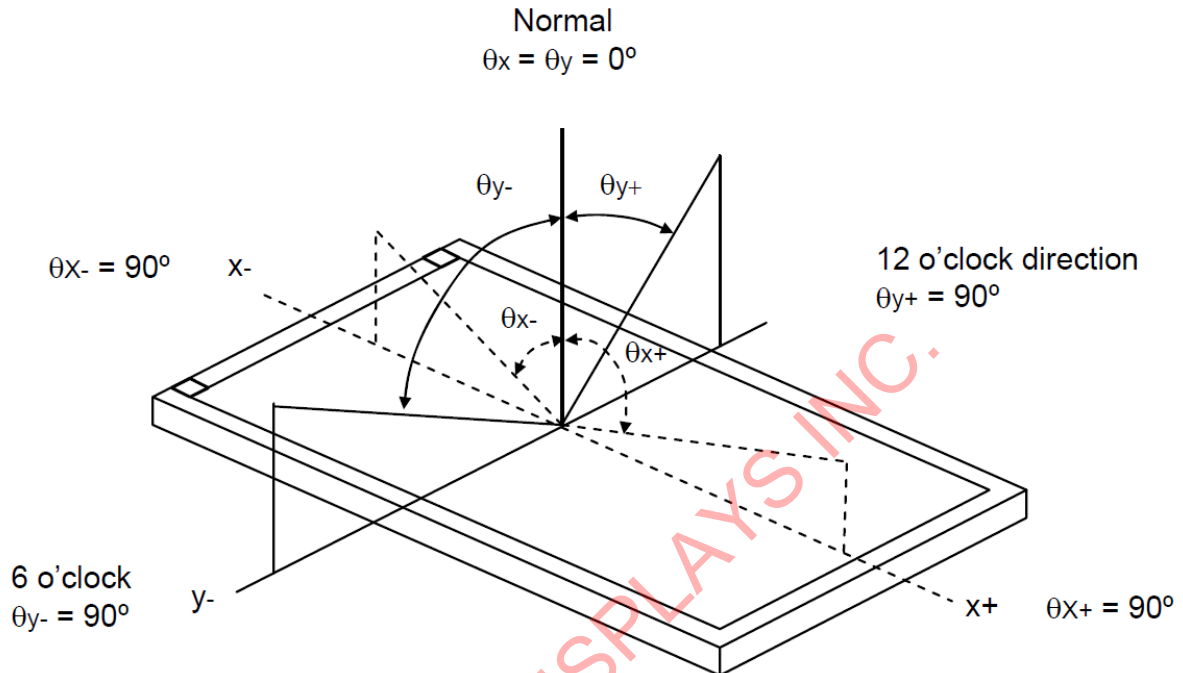


PERVASIVE DISPLAYS INC.

Note (2): Definition of Viewing Angle (θ_x, θ_y):

Figure 6-2 Definition of Viewing Angle to Measure Contrast Ratio

Note (3): Refresh time is the time that e-paper particles move not including the power



on and off time. The refresh time is measured at 25°C. The refresh time and contrast ratio varies due to different films, display performance requirements, and ambient temperatures.

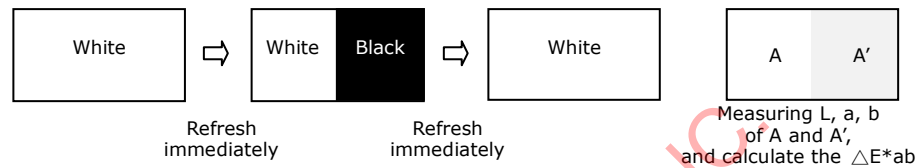
Note (4): Contrast ratio (C.R.): The Contrast ratio is calculated by the following expression. $C.R. = (R\% \text{ White}) / (R\% \text{ Black})$. Reflectance is measured at 120 seconds after refresh.

PERVASIVE DISPLAYS INC.

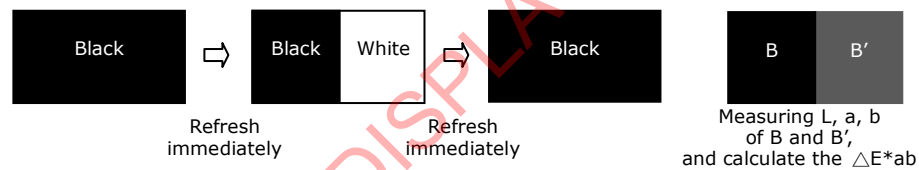
6.2.2 Ghosting

Below are two test methods to verify that ghosting within an acceptable range. Test 1 and Test 2 use measured data to calculate Delta E which is a single number representing the distance between two colors in a 3 dimensional color space. Test 1 and 2 are performed at 25°C.

- Test 1: White to Black Ghosting



- Test 2: Black to White Ghosting



The formula is used to calculate Test1 and Test2. For example of Test 2:

$$\Delta E^*ab = [(L_B - L_{B'})^2 + (a_B - a_{B'})^2 + (b_B - b_{B'})^2]^{1/2}$$

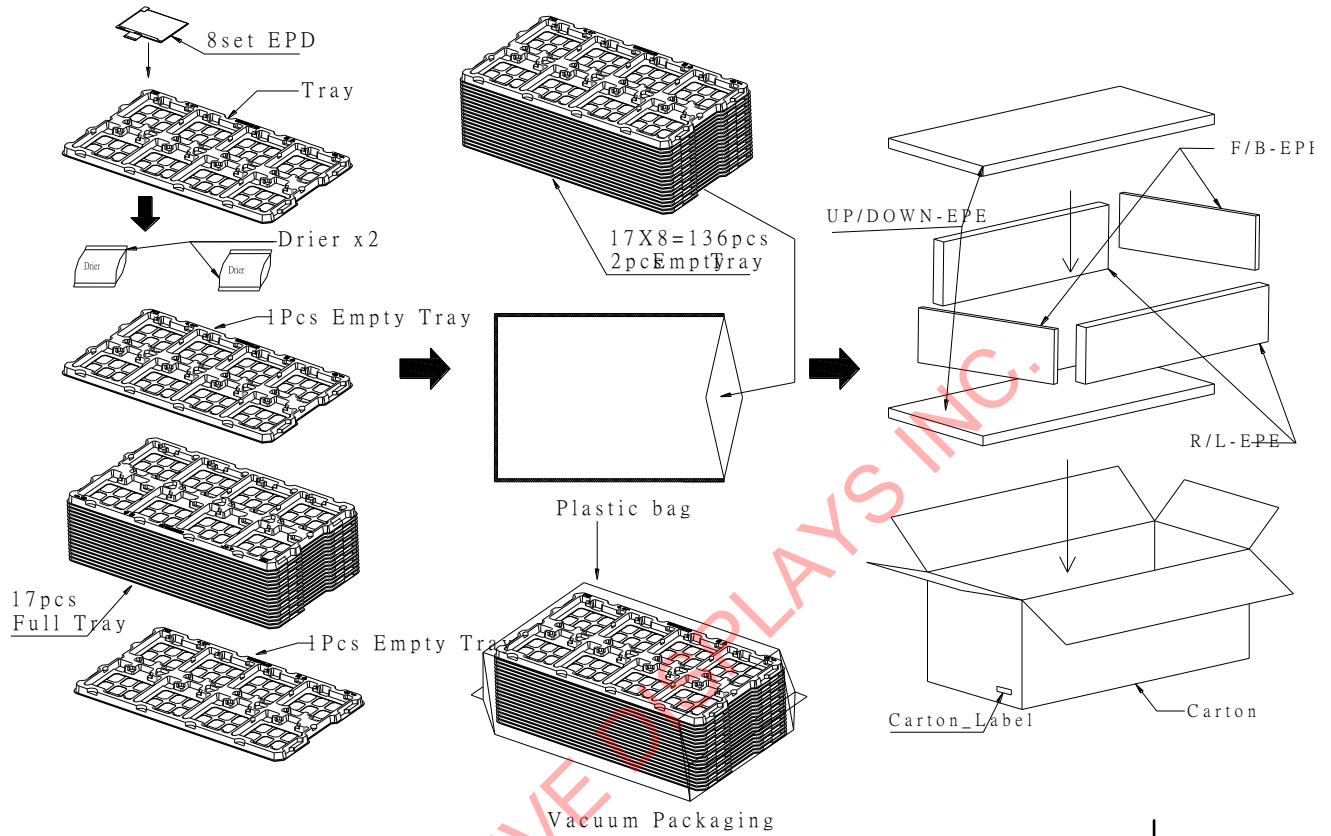
Table 6-3 Measurement of Ghosting

Item	Rating		
	Min.	Typ.	Max.
Test 1 ΔE*ab	-	-	2
Test 2 ΔE*ab	-	-	2

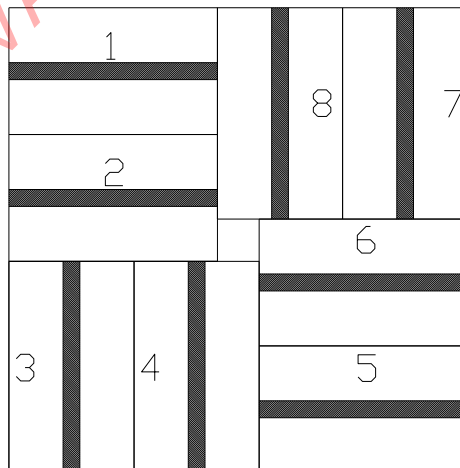
Note: Panel is driven by PDI waveform without masking film and optical measurement by CM-700D with D65 light source and SCE mode.

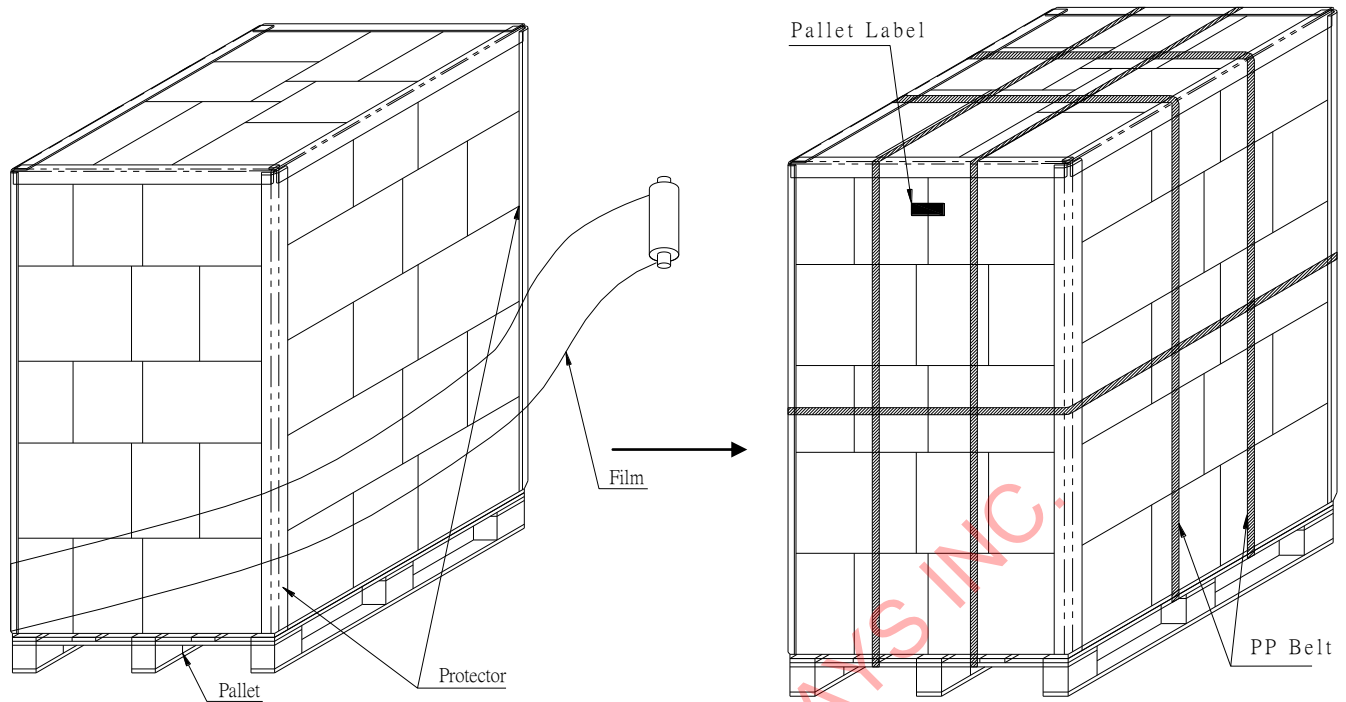
7 Packing

Figure 7-1 Packing Diagram



- Note: 1. Carton outline size: 500L X 300W X 200H mm
 2. Material of tray: A-PET
 3. Material of plastic bag: PE-LD

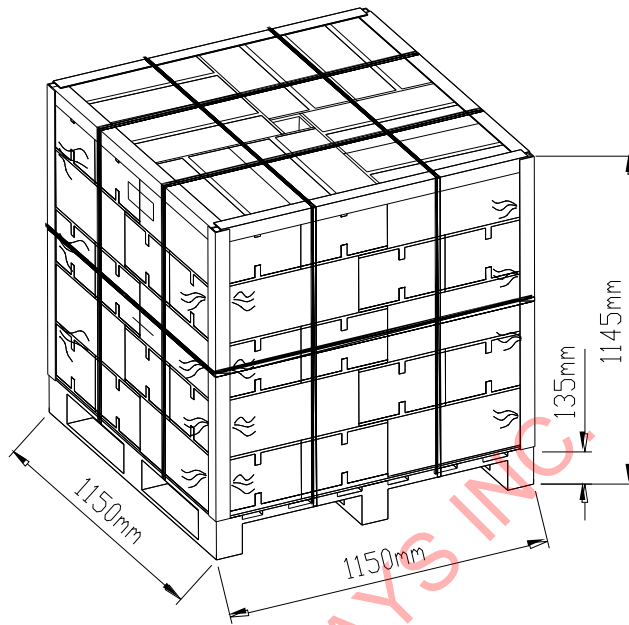




136(pcs)x40(BOX)=5440pcs

	4.41" EPD BOX
N.W. :	1.74 Kg
G.W. :	5.11 Kg

Sea / Land / Air Transportation



PERVASIVE DISPLAYS INC.

8 Precautions

- (1) The EPD Panel / Module is manufactured from fragile materials such as glass and plastic, and may be broken or cracked if dropped. Please handle with care. Do not apply force such as bending or twisting to the EPD panel.
- (2) It is recommended to assemble or install EPD panels in a clean working area. Dust and oil may cause electrical shorts or degrade / scratch / den the protection sheet film.
- (3) Do not apply pressure to the EPD panel in order to prevent damaging it.
- (4) Do not connect or disconnect the interface connector while the EPD panel is in operation.
- (5) Please support the bezel with your finger while connecting the interface cable such as the FPC.
- (6) Do not stack the EPD panels / Modules.
- (7) Do not press the FPC on the glass edge or Pull FPC up / down to 90°.
- (8) Do not touch the FPC lead connector.
- (9) Do not touch IC bonding area. It may scratch TFT lead or damage IC function.
- (10) Wear a Wrist Strap (Grounding connect) when handling and during assembly. Semiconductor devices are included in the EPD Panel / Module and they should be handled with care to prevent any electrostatic discharge (ESD). (An Ion Fan may be needed in assembly operation to reduce ESD risk.)
- (11) Keep the EPD Panel / Module in the specified environment and original packing boxes when storage in order to avoid scratching and keep original performance.
- (12) Do not disassemble or reassemble the EPD panel.
- (13) Use a soft dry cloth without chemicals for cleaning. Please don't press hard for cleaning because the surface of the protection sheet film is very soft and without hard coating. This behavior would make dent or scratch on protection sheet.
- (14) Please be mindful of moisture to avoid its penetration into the EPD panel, which may cause damage during operation.
- (15) High temperature, high humidity, sunlight or fluorescent light may degrade the EPD panel's performance. Please do not expose the unprotected EPD panel to high temperature, high humidity, sunlight, or fluorescent for long periods of time. It is highly recommended to store the EPD panel in a dark place without condensation, a temperature range of 15°C to 35°C, and humidity from 30%RH to 60%RH.
- (16) The label ink used for marking the Panel ID number is erased easily by solvent. Please avoid using solvent to clean the EPD panel.
- (17) The EPD is vacuum packed.
- (18) Before approved by PDI and customer, products and product specifications may be subject to change without notice. Confirm that you have received the latest product standards or specifications before final design, purchase or use.
- (19) PDI makes every attempt to ensure that its products are of high quality and reliability. However, contact PDI sales office before using the product in an application that demands especially high quality and reliability or where its failure or malfunction may directly threaten human life or cause risk of bodily injury, such as aerospace, aeronautics, nuclear power, combustion control, transportation, traffic, safety equipment or medical equipment for life support.

版權歸龍亭新技所有

禁止任何未經授權使用

- (20) Design your application so that the product is used within the ranges guaranteed by PDI particularly for maximum rating, operating supply voltage range, heat radiation characteristics, installation conditions and other characteristics. PDI bears no responsibility for failure or damage when used beyond the guaranteed ranges. Even within the guaranteed ranges, consider normally foreseeable failure rates or failure modes in semiconductor devices and employ systemic measures such as fail safes, so that the equipment incorporating PDI product does not cause bodily injury, fire or other consequential damage due to operation of the PDI product.
- (21) This product is not designed to be radiation resistant.

PERVASIVE DISPLAYS INC.

版權歸龍亭新技所有

禁止任何未經授權使用

9 Definition of Labels

Figure 9-1 Model Labels

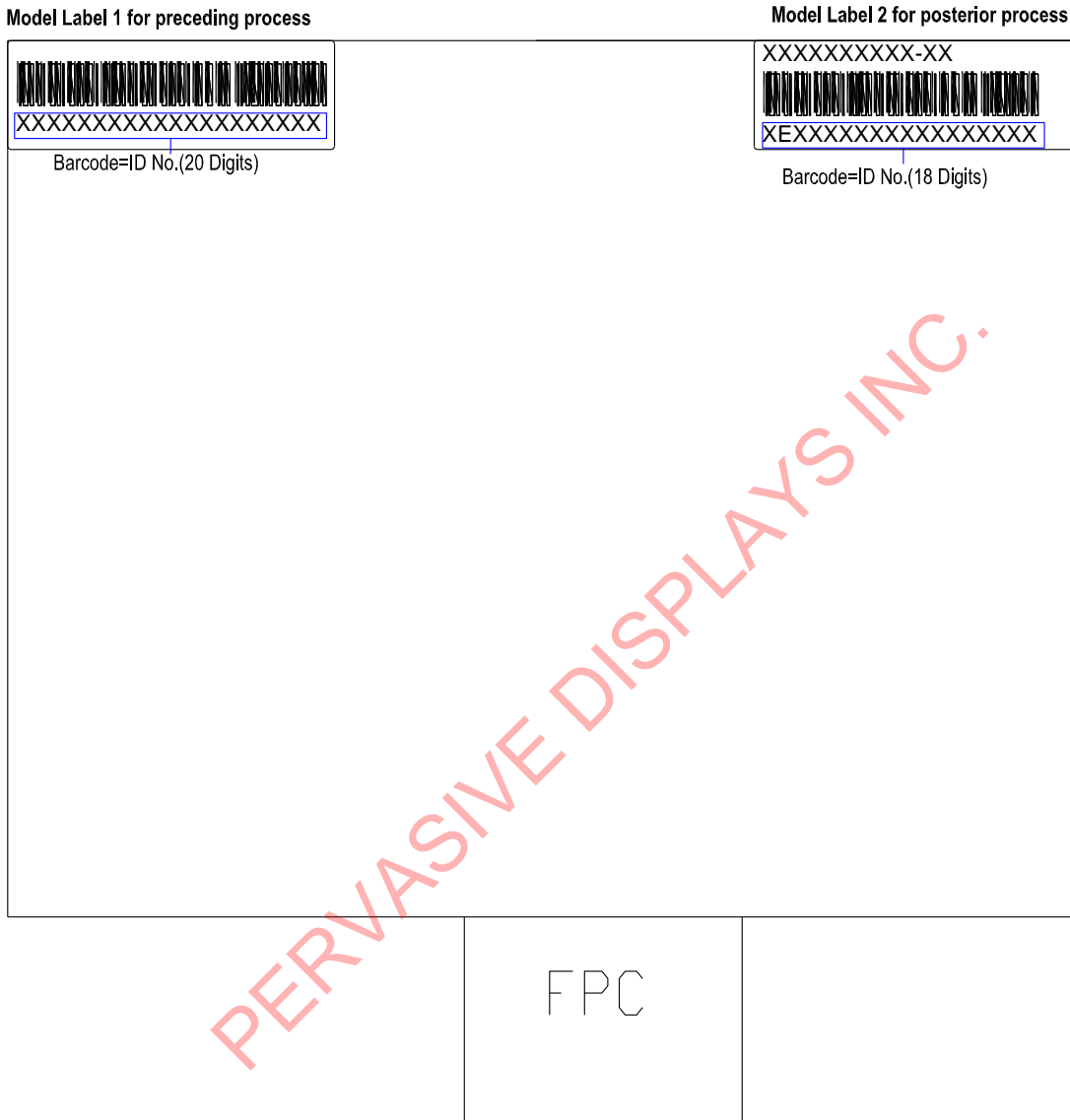
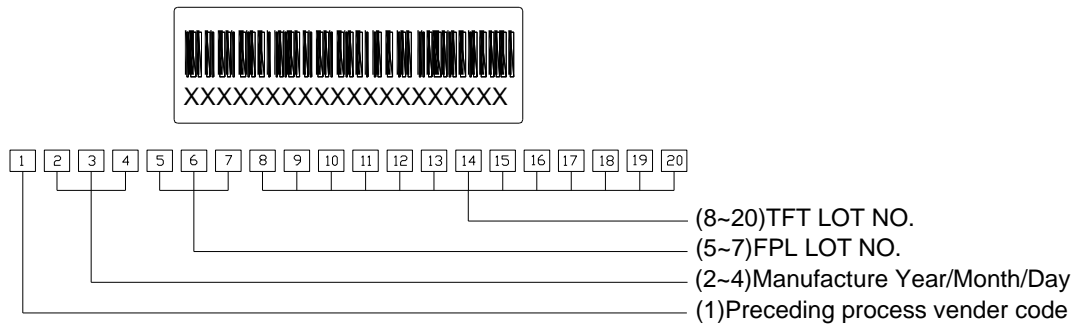
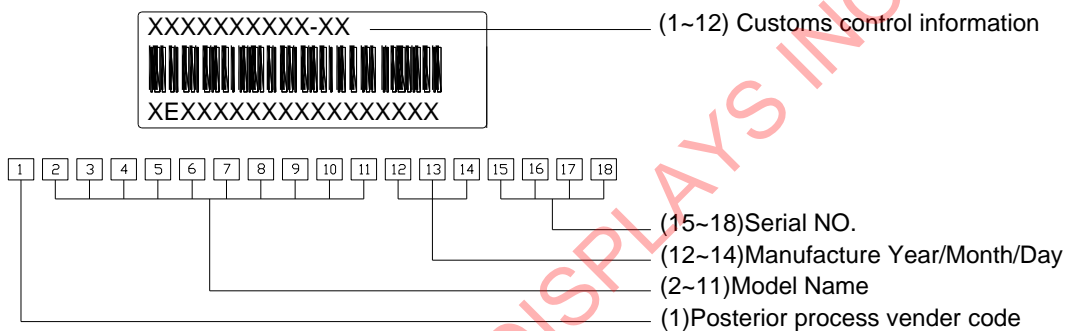


Figure 9-2 Definition of Model Labels

ID NO. definition of Model Label 1

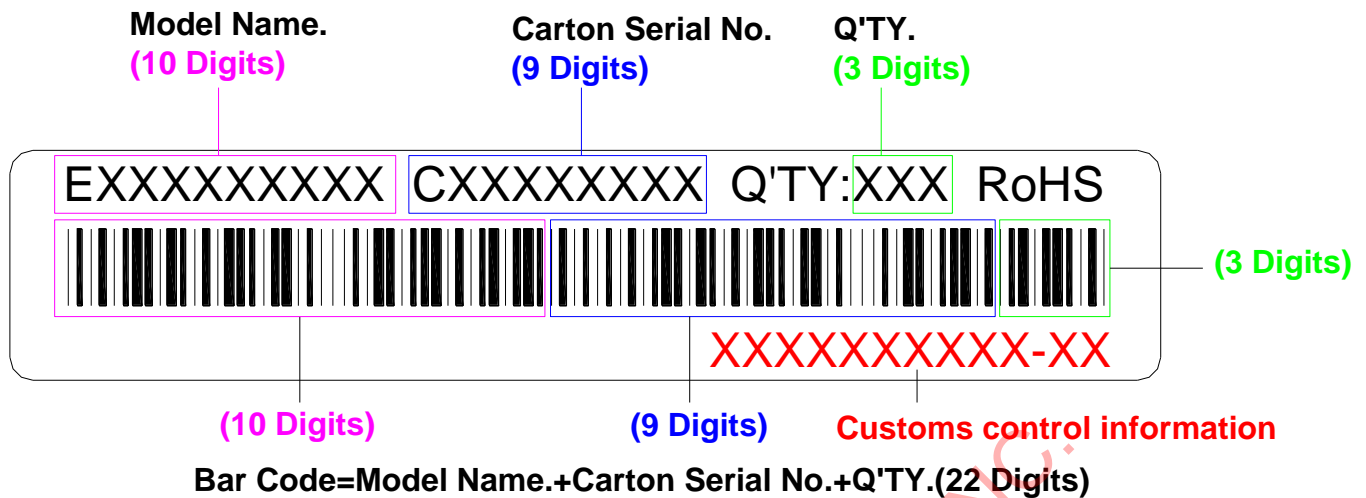


ID NO. definition of Model Label 2



PERVASIVE DISPLAYS INC.

Figure 9-3 Carton Label



Carton Label

Figure 9-4 Pallet Label



Bar Code=Model Name.+Pallet Serial No.+Q'TY.(22 Digits)

Pallet Label