

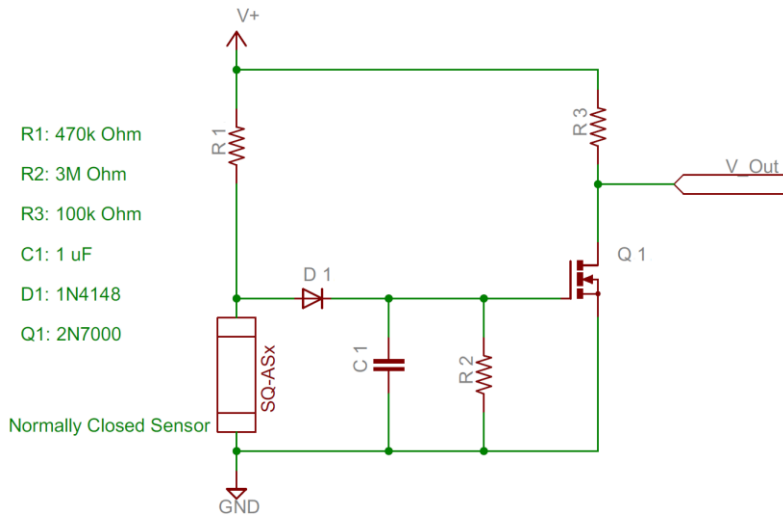
## APPLICATION NOTE: PULSE STRETCHER

### APPLICATION

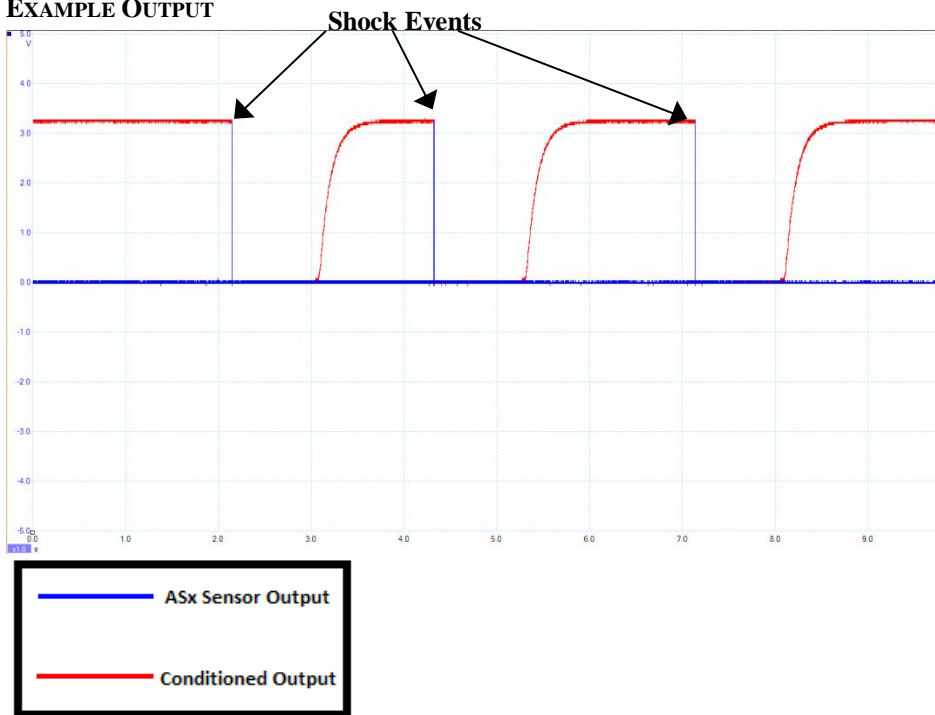
- Pulse Stretcher for Normally Closed SQ-ASx

### HIGHLIGHTS

- Low power (7 $\mu$ A at rest with 3.3V power supply)
- Components cost ~ \$0.03 at 10K volume



### EXAMPLE OUTPUT



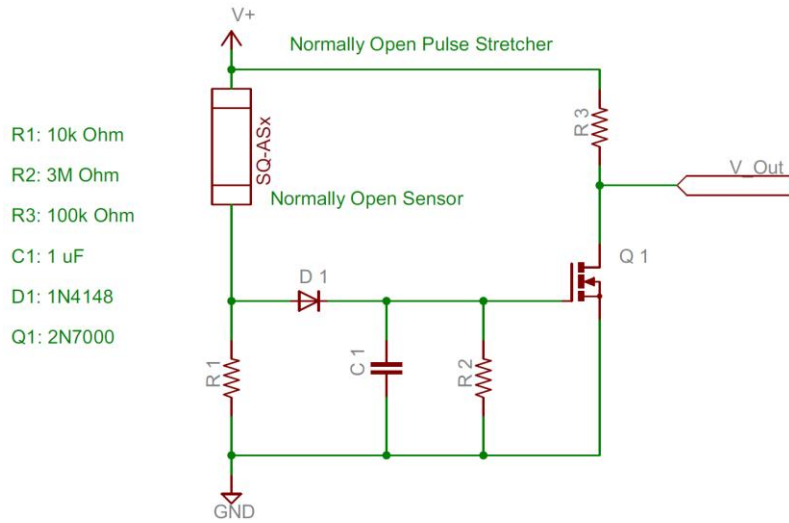
## APPLICATION NOTE: PULSE STRETCHER

### APPLICATION

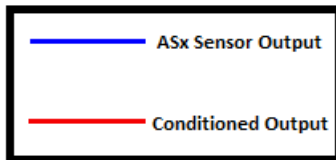
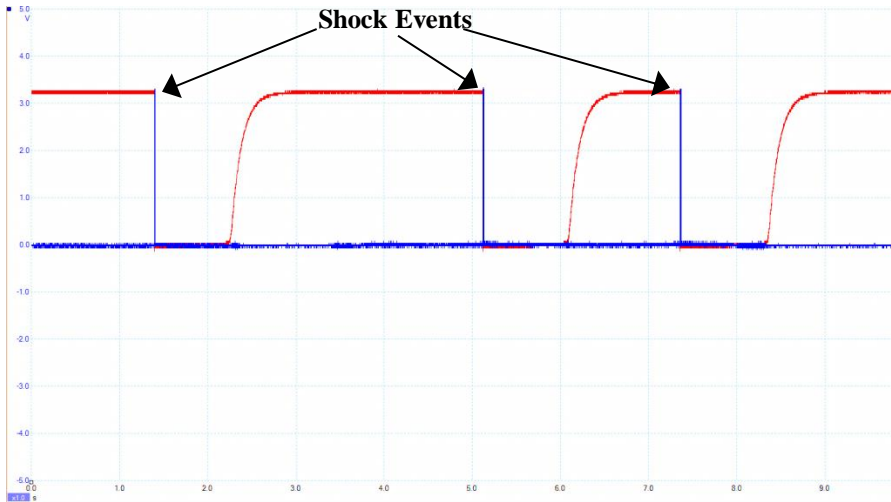
- Pulse Stretcher for Normally Open SQ-ASx

### HIGHLIGHTS

- Low power (1.1µA at rest with 3.3V power supply)
- Components cost ~ \$0.03 at 10K volume



### EXAMPLE OUTPUT



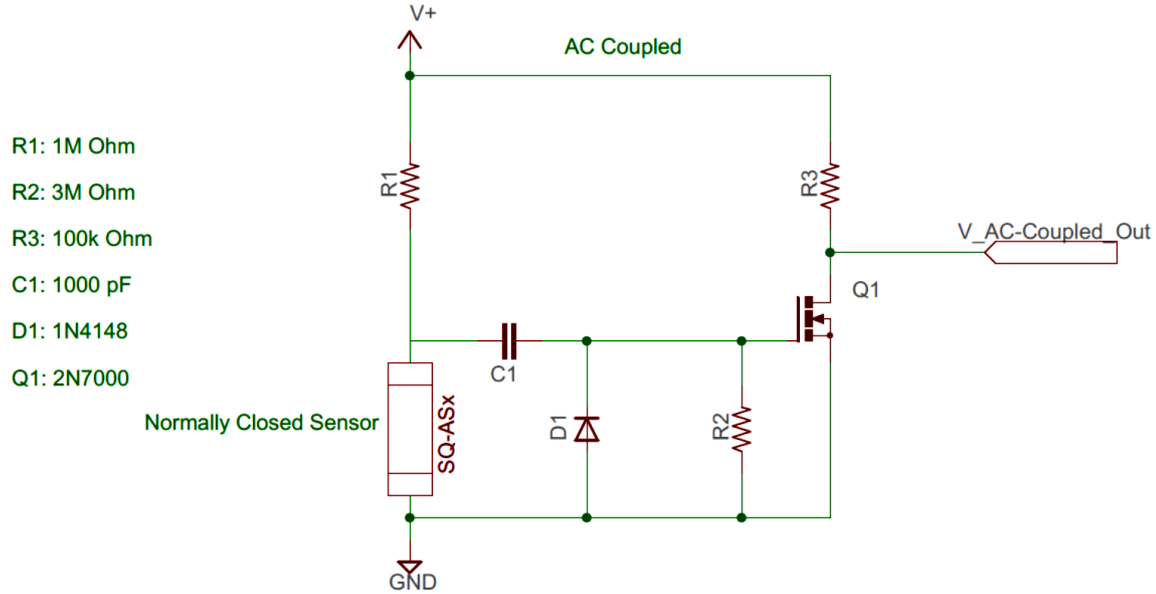
## APPLICATION NOTE: PULSE STRETCHER

### APPLICATION

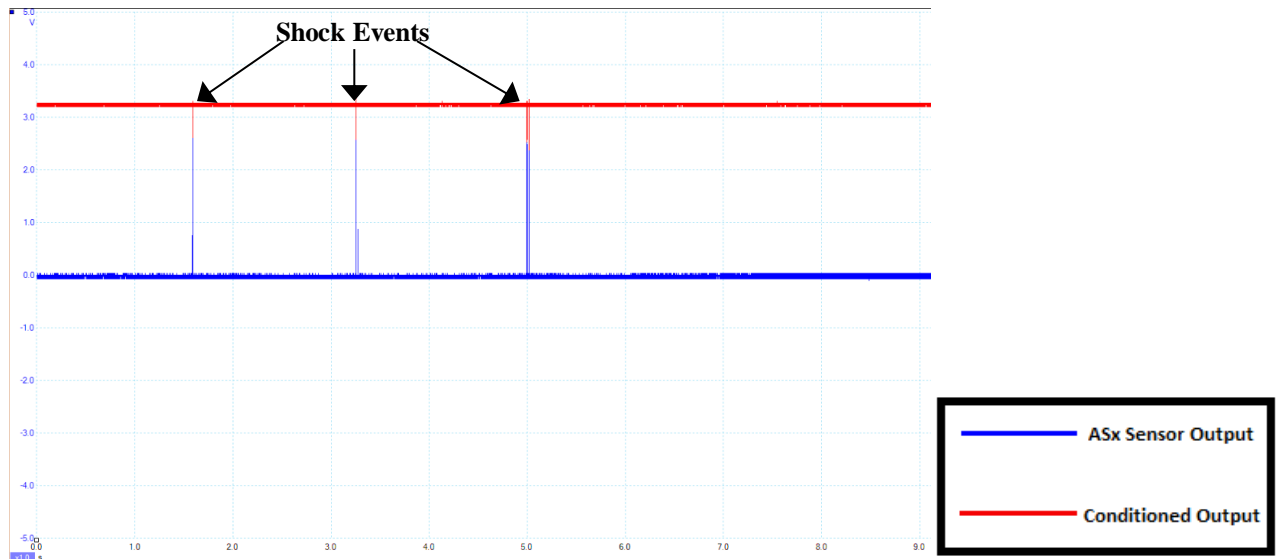
- AC Coupling for Normally Closed SQ-ASx

### HIGHLIGHTS

- Low power (1.1µA at rest with 3.3V power supply)
- Components cost ~ \$0.03 at 10K volume



### EXAMPLE OUTPUT



## APPLICATION NOTE: PULSE STRETCHER

### APPLICATION

- Pulse Stretcher for Normally Closed SQ-ASx AC Coupling Circuit Output

### HIGHLIGHTS

- Low power (1.1µA at rest with 3.3V power supply)
- Components cost ~ \$0.03 at 10K volume

